

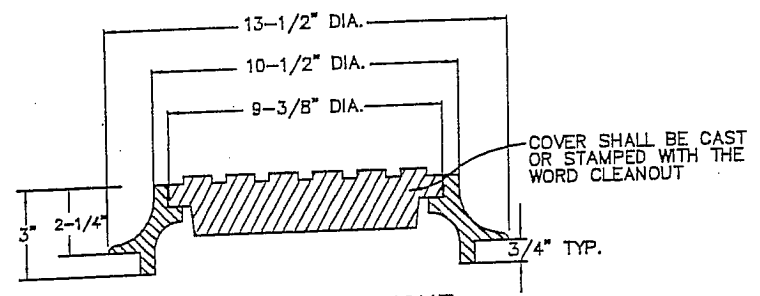
ABS SCHEDULE 40 OR CAST IRON SOIL PIPE REQUIRED UNDER HOUSE TO A POINT 2' FROM HOUSE. (SEE APPLICABLE CODES.)

SEWER PIPE LAID ON A 1/4" PER FOOT MIN. GRADE TO SEWER MAIN

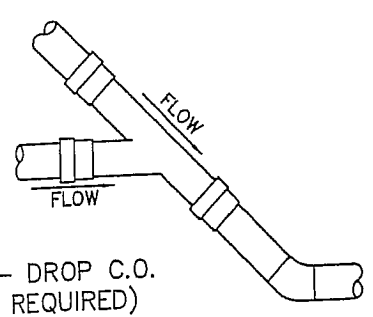
CONCRETE ENVELOPE (SEE NOTE 3)

SEWER MAIN (OTHER THAN PLASTIC)

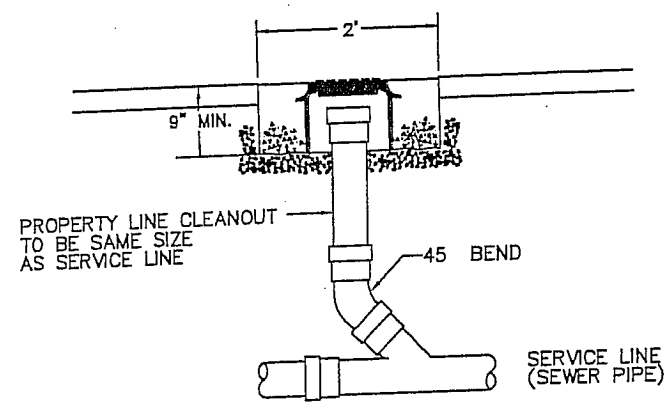
- NOTES:
- 1- PROPERTY LINE AND OUTSIDE BUILDING CLEANOUTS ARE REQUIRED AS SHOWN.
 - 2- CLEANOUT REQUIRED AT 100' MAX. SPACING (STRAIGHT RUNS) AND FOR EACH AGGREGATE CHANGE IN DIRECTION, WHERE TOTAL AGGREGATE CHANGE EXCEEDS 135 DEGREES.
 - 3- ALL LATERALS CUT INTO EXISTING MAINS SHALL BE ADAPTED WITH SADDLES. WHERE SADDLES ARE NOT WATER TIGHT, A CONCRETE ENVELOPE SHALL BE REQUIRED. LATERALS SHALL NOT PROTRUDE INTO SEWER MAINS.
 - 4- ALL CLEANOUTS LOCATED IN DRIVEWAYS, WALKWAYS OR OTHER AREAS SUBJECT TO VEHICLE OR PEDESTRIAN TRAFFIC SHALL HAVE A CAST IRON RING AND COVER OR OTHER APPROVED PROTECTIVE DEVICE WITH CONCRETE COLLAR.
 - 5- NO BRASS CLEAN-OUT CAPS ALLOWED OUTSIDE.



STANDARD CLEANOUT RING & LID (H-20 RATING)



DETAIL - DROP C.O. (WHERE REQUIRED)



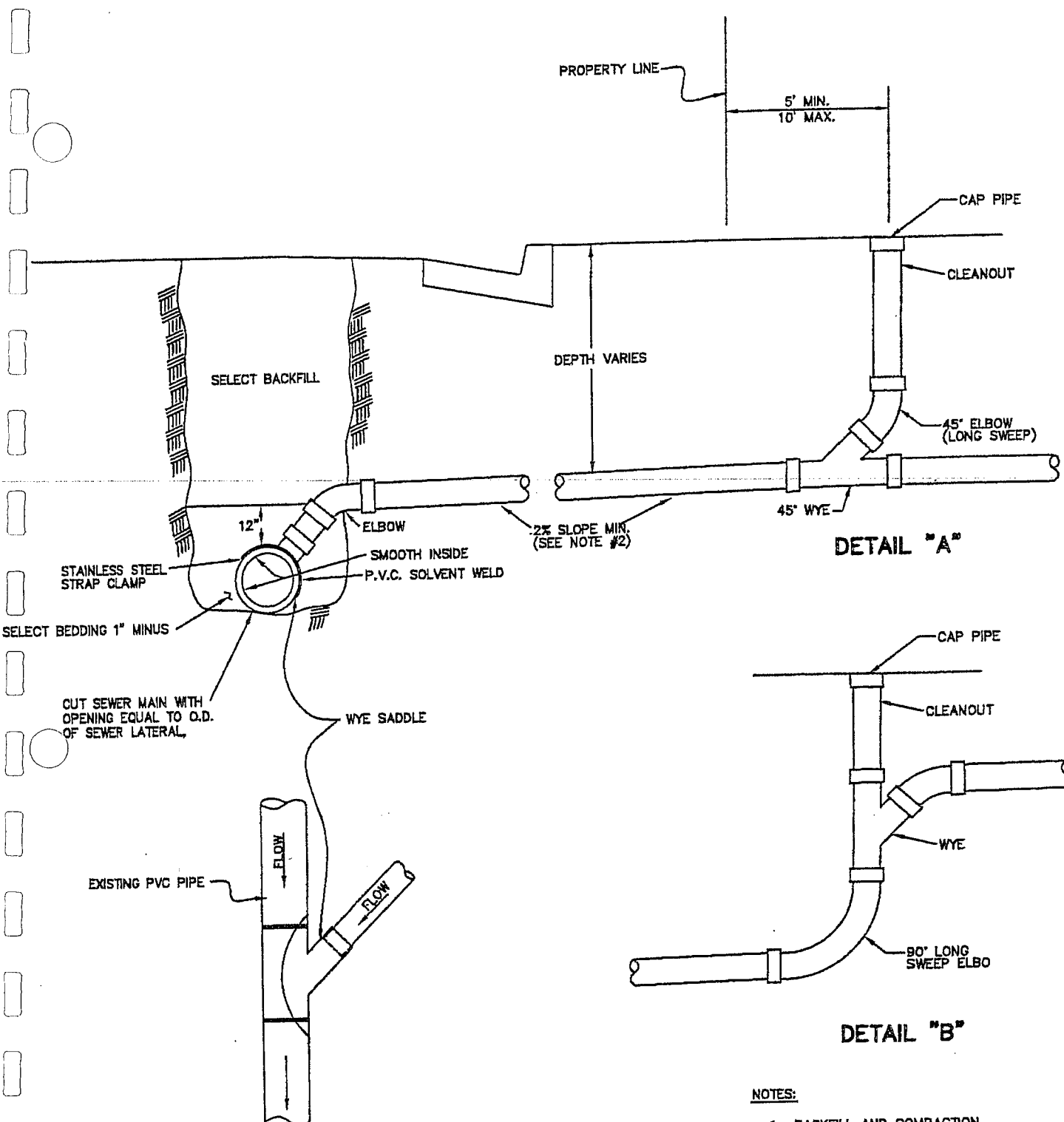
CLEANOUT DETAIL B

CITY OF ST. GEORGE ENGINEERING DEPARTMENT

TYPICAL SEWER CONNECTION DETAILS

REVISIONS		
DATE	DESCRIPTION	BY
7-2004	ADDED NOTE 6	LBB

STANDARD DWG. NO.	
230	1 OF 1
APPROVED: <i>[Signature]</i>	
DATE: 9/09	BY: LBB



NOTES:

- 1- BACKFILL AND COMPACTION REQUIREMENTS SHALL CONFORM TO CITY STANDARD SPECIFICATIONS.
- 2- 4" DIAMETER-2% MINIMUM. 6" DIAMETER- 1% MINIMUM.
- 3- CLEANOUT DIAMETER TO BE SAME SIZE AS LATERAL.
- 4- INSTALL WYE SADDLE PER MANUFACTURER'S RECOMMENDATIONS.
- 5- PIPE LAID WITH BELL OR COLLARD ENDS UP-GRADE.

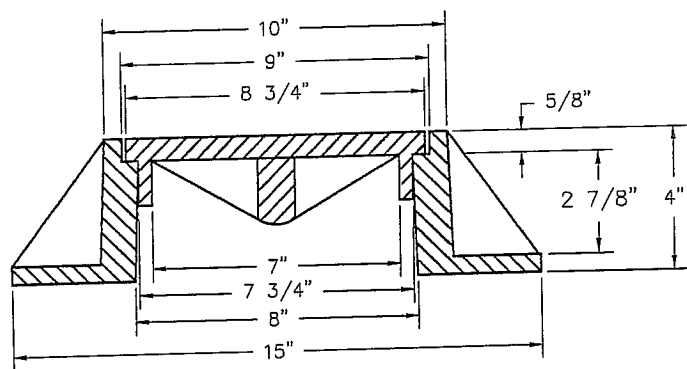
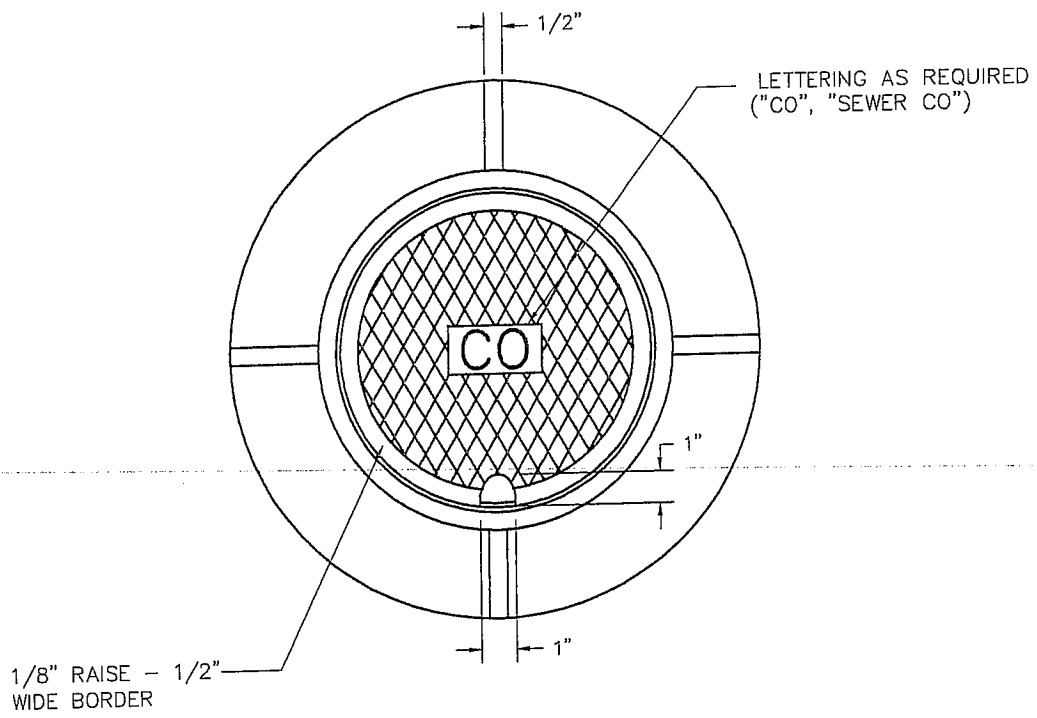
CITY OF ST. GEORGE ENGINEERING DEPARTMENT

**P.V.C. SERVICE CONNECTION
EXISTING P.V.C. SEWER MAINS**

STANDARD DWG. NO. 231 1 OF 1

APPROVED: *[Signature]*
DATE: 9/04 BY: LBB

REVISIONS	DATE	DESCRIPTION	BY
7-2004		ADDED NOTE 5/DETAIL "B"	LBB



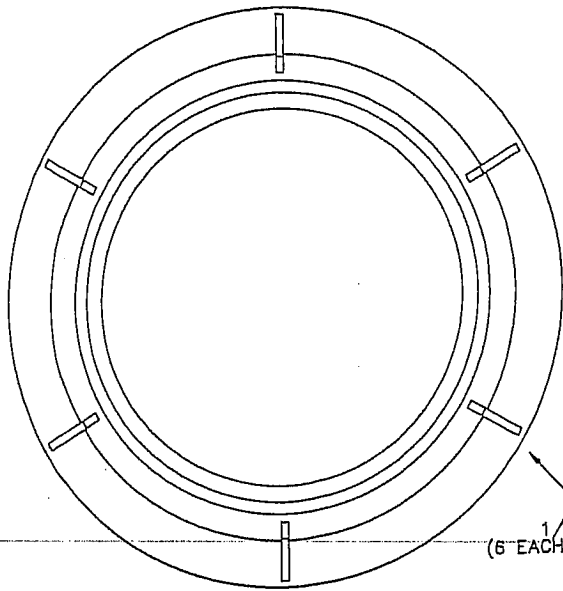
NOTES:
 1- MATERIAL SHALL BE CAST IRON ASTM A48, CL30
 2- H-20 RATING

CITY OF ST. GEORGE ENGINEERING DEPARTMENT

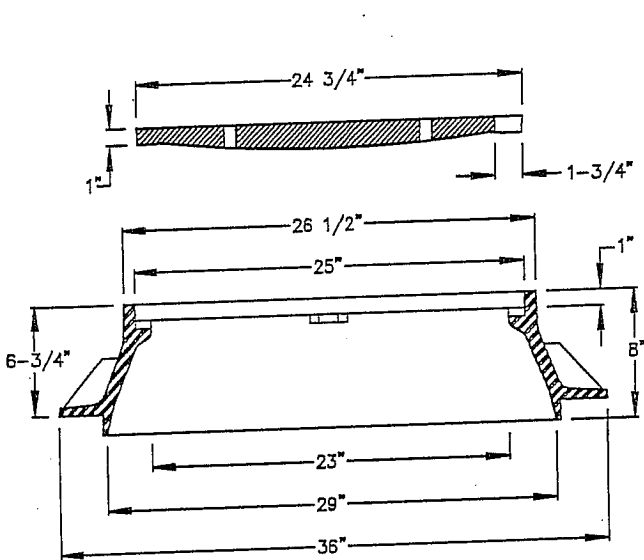
REVISIONS		
DATE	DESCRIPTION	BY

(OPTIONAL)
 SEWER CLEANOUT COVER DETAIL

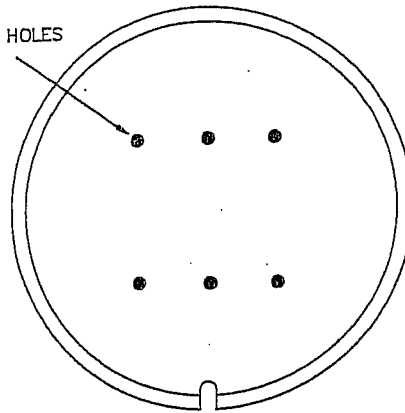
STANDARD DWG. NO.	
233	1 OF 1
APPROVED:	
DATE:	BY: LBB



1/2" GUSSETS
(6 EACH AT 60-DEGREES)



3/4" VENT HOLES



NOTES:

- 1- USE D & L MODEL NO. A-1180 OR APPROVED EQUAL.
- 2- MUST MEET HS-20 LOADING.

CITY OF ST. GEORGE ENGINEERING DEPARTMENT

SANITARY SEWER
MANHOLE RING & COVER

STANDARD DWG. NO.

224

1 OF 1

APPROVED: *[Signature]*

DATE: 9/09

BY: LBB

REVISIONS	DATE	DESCRIPTION	BY