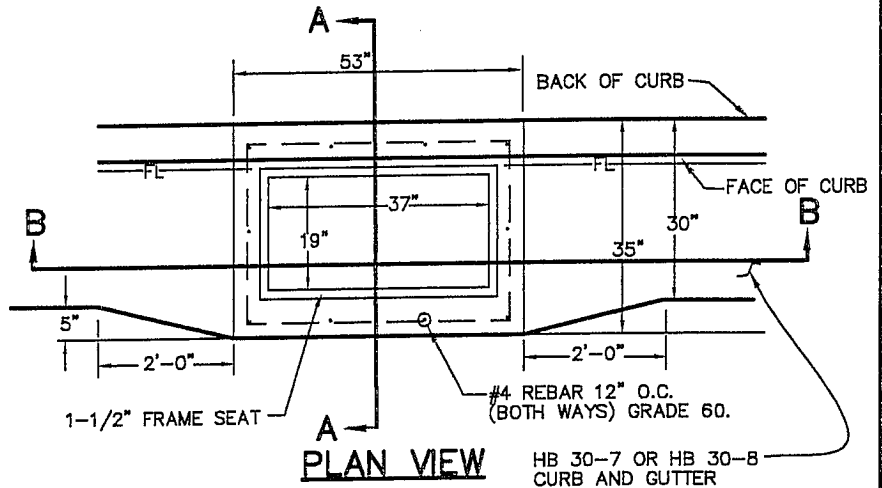
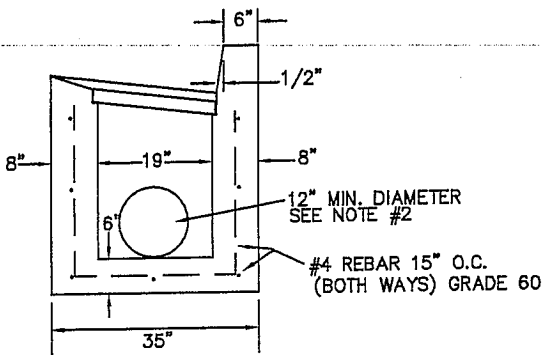


NOTES:

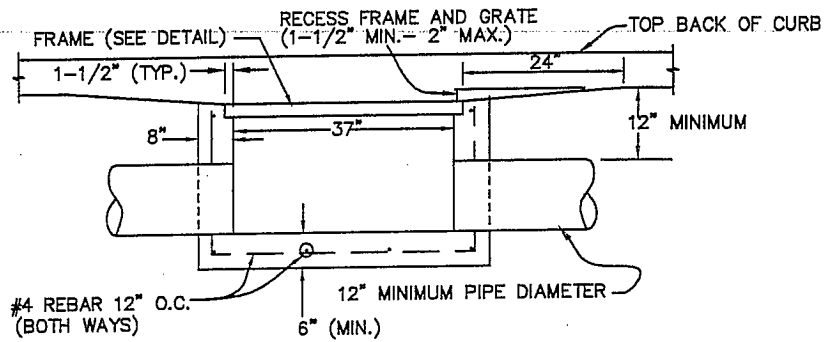
- 1- USE BICYCLE SAFE GRATE ONLY UNLESS OTHERWISE APPROVED. SEE STANDARD DRAWING.
- 2- BOXES WITH PIPE SIZE GREATER THAN 15" DIAMETER AND BOXES GREATER THAN 4' IN DEPTH REQUIRE ENGINEERED DESIGN.
- 3- GRATES & FRAMES SHALL BE PAINTED WITH ONE COAT PRIMER AND ONE COAT LIGHT GREY FINISH. COATING APPLIED PER SPECIFICATIONS.



HB 30-7 OR HB 30-8
CURB AND GUTTER

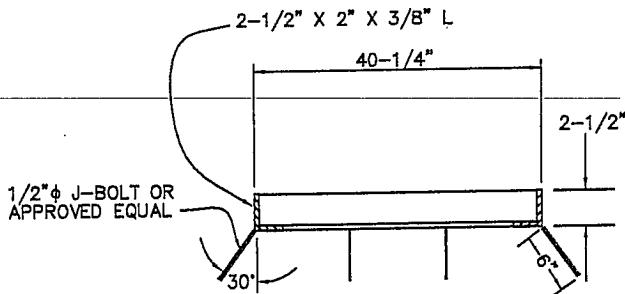
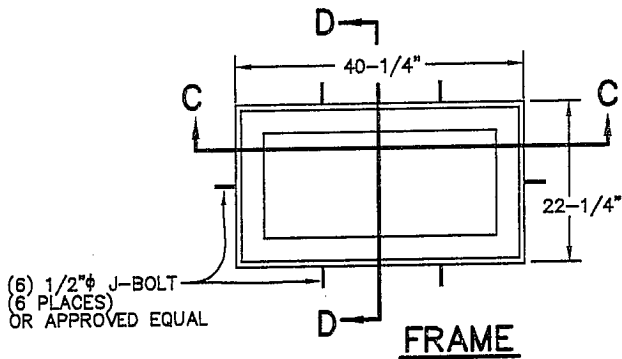


SECTION A-A

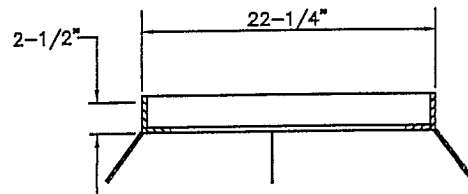


LONG DIMENSION OF BOX SHALL BE PARALLEL TO THE CURB & GUTTER.

SECTION B-B



SECTION C-C



SECTION D-D

NO SCALE

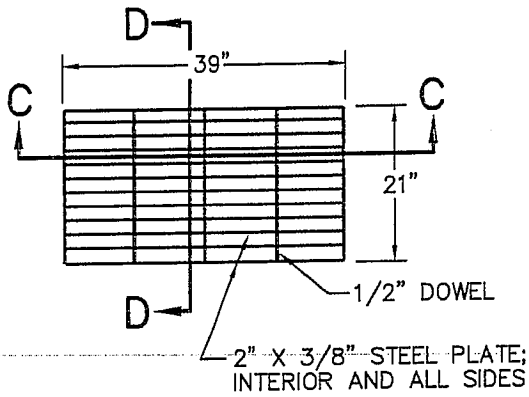
CITY OF ST. GEORGE ENGINEERING DEPARTMENT

**STANDARD CATCH BASIN
BOX & FRAME**

STANDARD DWG. NO.
200 1 OF 1

APPROVED:
DATE: BY: LBB

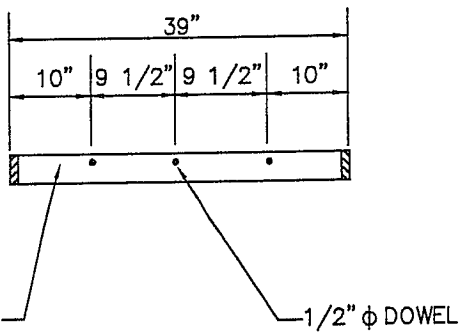
REVISIONS		
DATE	DESCRIPTION	BY



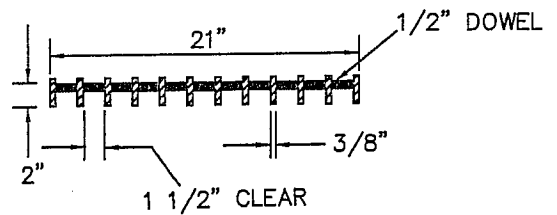
PLAN

NOTES:

1— STEEL SHALL BE COLD ROLLED
FLAT STOCK.



SECTION C-C



SECTION D-D

NO SCALE

CITY OF ST. GEORGE ENGINEERING DEPARTMENT

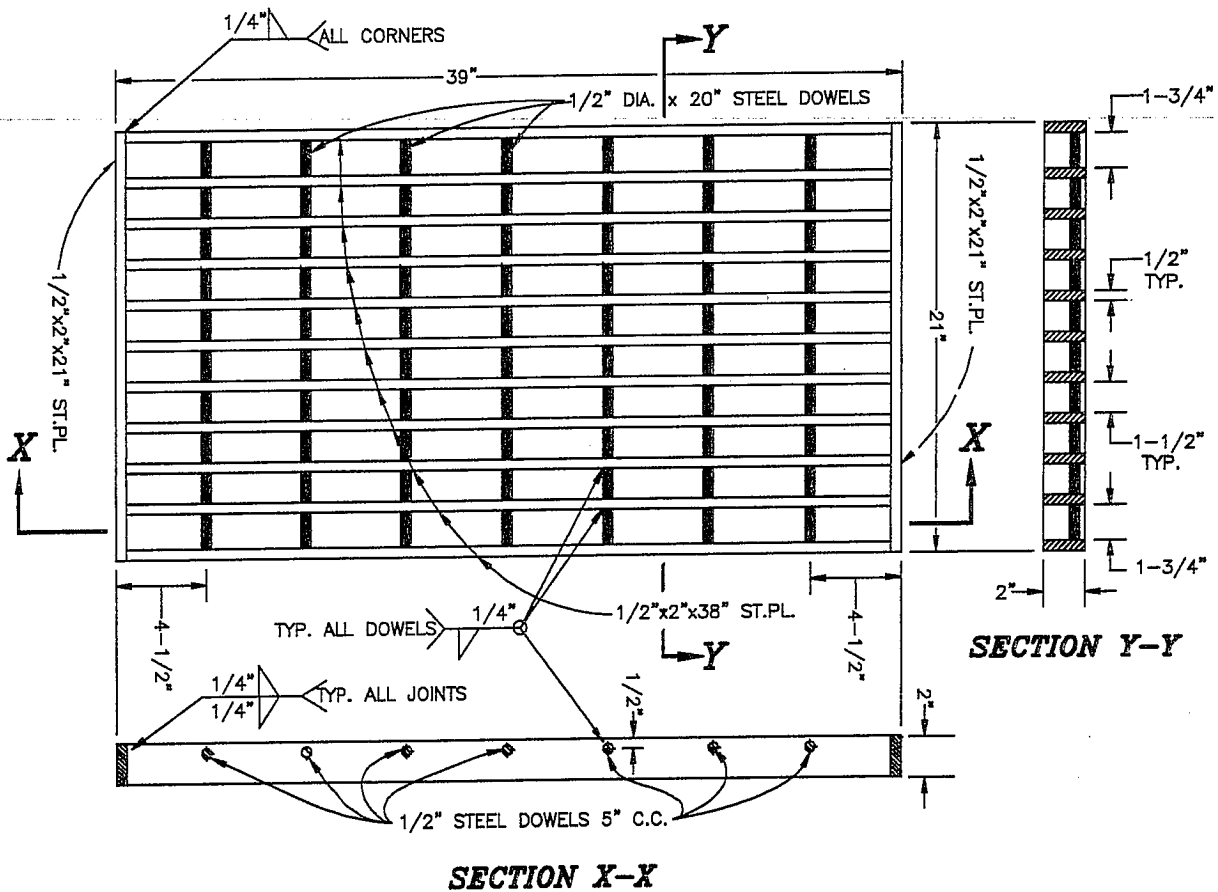
REVISIONS		
DATE	DESCRIPTION	BY

**CATCH BASIN GRATE
(NON-BICYCLE SAFE)**

STANDARD DWG. NO.	
201	1 OF 1
APPROVED:	
DATE:	BY: LBB

NOTES:

1. USE ONLY GRADE 60 STEEL
2. PAINT ALL SURFACES OF GRATE. APPLY ONE COAT OF PRIMER, AND ONE FINISH COAT, (LIGHT GREY COLOR) AS PER STANDARD CITY SPECIFICATIONS

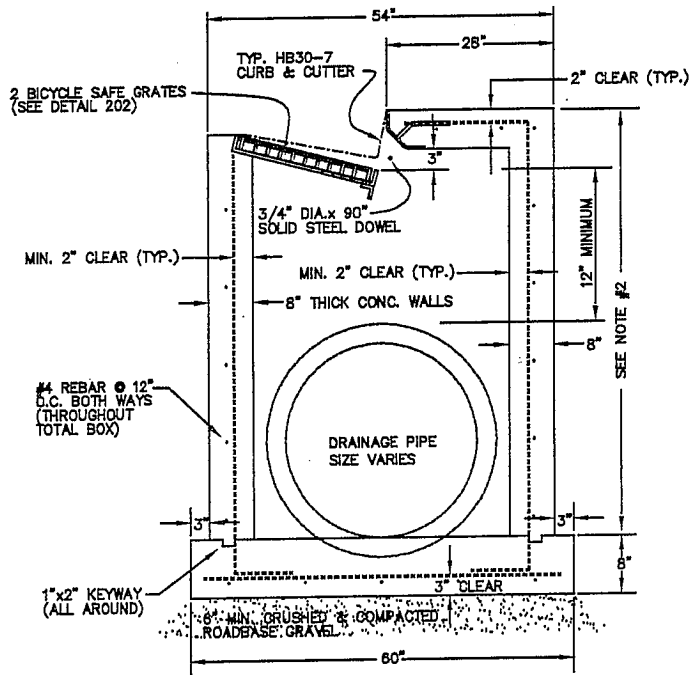
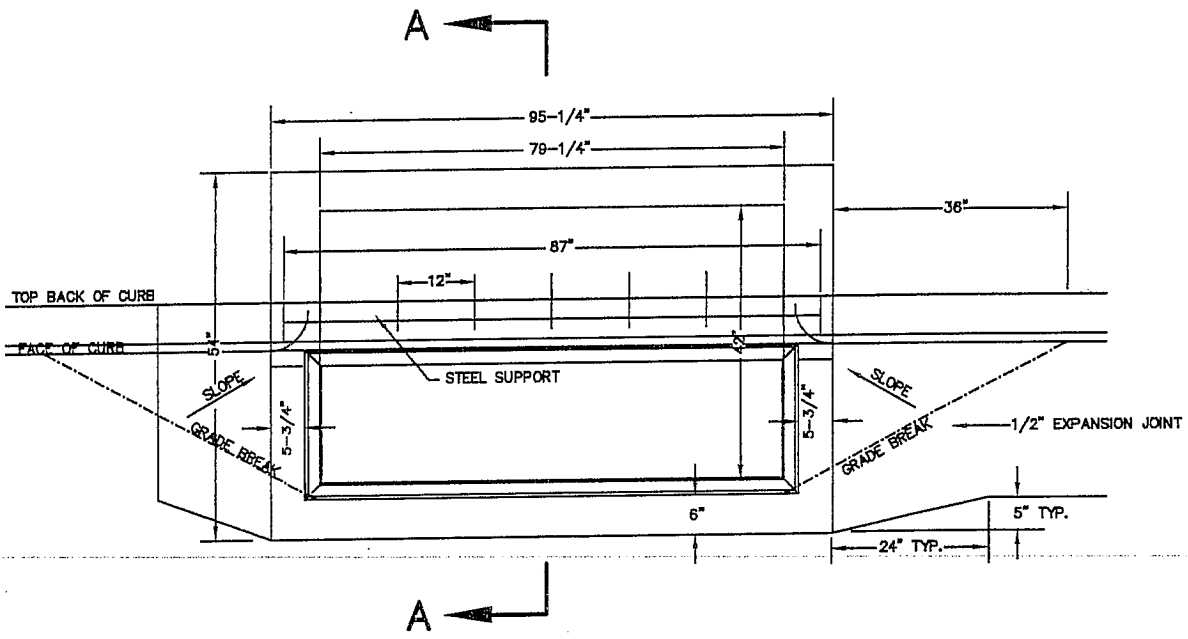


CITY OF ST. GEORGE ENGINEERING DEPARTMENT

STANDARD CATCH BASIN GRATE
(BICYCLE SAFE)

REVISIONS		
DATE	DESCRIPTION	BY

STANDARD DWG. NO.	
202	1 OF 1
APPROVED:	
DATE:	BY: HSP



- NOTES:**
- 1- USE BICYCLE SAFE GRATES ONLY.
 - 2- FOR PIPE SIZE GREATER THAN 42" DIAMETER AND 60" DEPTH ENGINEERED DESIGN REQUIRED.

SECTION A-A

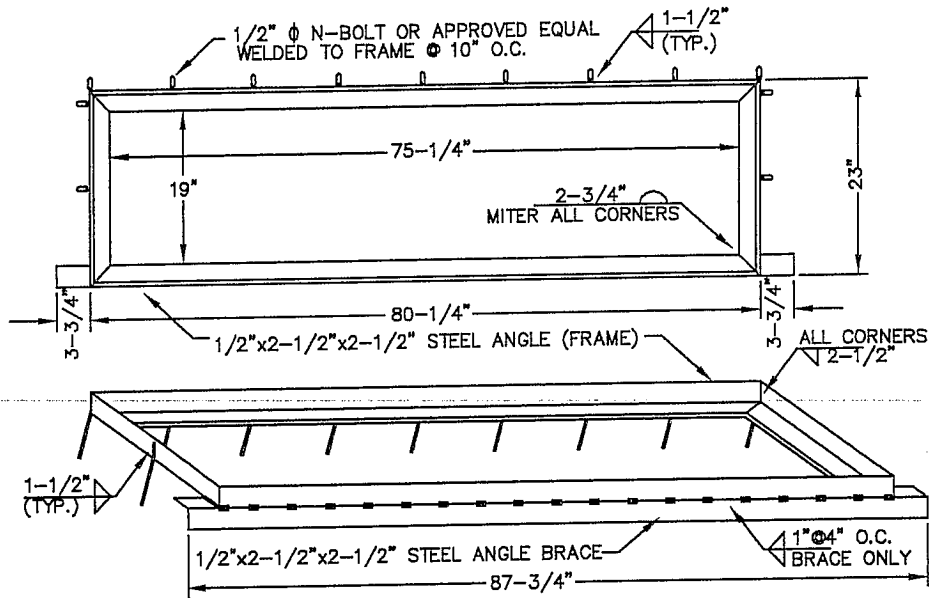
CITY OF ST. GEORGE ENGINEERING DEPARTMENT

REVISIONS		
DATE	DESCRIPTION	BY

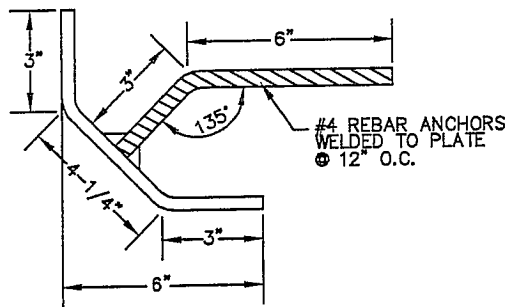
CURB INLET DOUBLE CATCH BASIN BOX

STANDARD DWG. NO.	
205	1 OF 2
APPROVED:	
DATE:	BY: LBB

PLAN VIEW



FRAME & SUPPORT BRACE



STEEL SUPPORT

NOTES:

1. FRAME SHALL BE PAINTED WITH ONE COAT PRIMER AND ONE COAT LIGHT GREY FINISH.

CITY OF ST. GEORGE ENGINEERING DEPARTMENT

REVISIONS		
DATE	DESCRIPTION	BY

CURB INLET DOUBLE CATCH BASIN FRAME

STANDARD DWG. NO.	
205	2 OF 2
APPROVED:	
DATE:	BY: LBB

CONTACT ENGINEERING DEPARTMENT FOR DETAILS

CITY OF ST. GEORGE ENGINEERING DEPARTMENT

REVISIONS		
DATE	DESCRIPTION	BY

CURB INLET SINGLE CATCH BASIN BOX

STANDARD DWG. NO.	
206	1 OF 1
APPROVED:	
DATE:	BY: LBB